

SCHLAGE

LE

Mobile enabled wireless mortise lock



Overview

The Schlage® LE mobile enabled wireless mortise lock is designed to affordably extend electronic access control deeper into the building beyond traditional perimeter and high security openings and offers users the security and convenience of using a smart device to gain access¹.

LE wireless locks simplify installation by combining the lock, credential reader, door position sensor and request-to-exit switch all in one unit. LE requires only minor modifications to existing mechanical mortise prep with no wires to run to the lock or additional components necessary.

The open architecture design of LE allows it to be managed by Allegion software or to be integrated into popular physical access control systems through our PACS Alliance program. This enables customers to choose the system that best fits their requirements now and move to a networked solution at any time.

LE suites with Schlage L Series levers, finishes and keyways to provide a wide selections of attractive options to meet the requirements of nearly any environment.

¹ Use of mobile credential is dependent on availability of compatible mobile credential.

² Integration with LE mobile enabled wireless locks required for operation. For information on PACS providers and their capabilities visit us.allegion.com/alliances.

³ Door position switch requires additional prep for mortise deadbolt (MD) applications.

Encryption key and credential interoperability

- Hardware configured with our default encryption key or custom key developed by Schlage Custom Encryption Key Service (SCEKS) including NXP, HID® and NFC
- Schlage MIFARE® DESFire® and MIFARE Classic® credentials
- Apple Wallet® and Google Wallet™ student ID and employee badge
- HID iCLASS®, iCLASS SE® and SEOS® plastic and NFC mobile credentials (see page 3)
- Schlage Mobile Bluetooth® Credential
- Other competitive credentials (see page 3)

Schlage Credential Services

- CardTrax™ credential format sequencing service offering industry standard formats
- Custom format development

Features and benefits

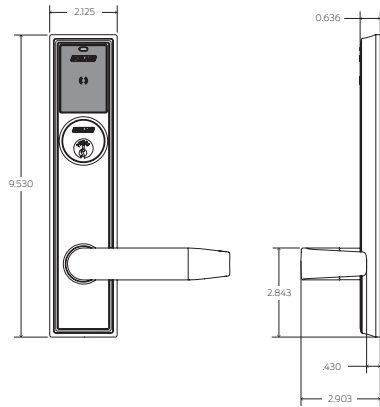
- Available with indicator, interior push button, or deadbolt for storeroom, privacy, apartment, and office applications
- Standard multi-technology credential compatibility includes Schlage MIFARE®, Bluetooth® and NFC mobile¹, and proximity – Optional support for HID® smart and NFC mobile credentials
- Wireless configuration from connected smartphones and tablets – no proprietary device needed
- Built-in Wi-Fi® enables automated daily updates sent directly from host software
- Networked real-time communication available with the ENGAGE Gateway and PACS provider solutions²
- Innovative integrated door position switch requires no additional door prep³
- Ideal for office and suite entries, conference rooms, common area doors, resident units, and sensitive storage areas
- Weather-resistant design
- Up to 2 years of battery life

CYBERSECURITY

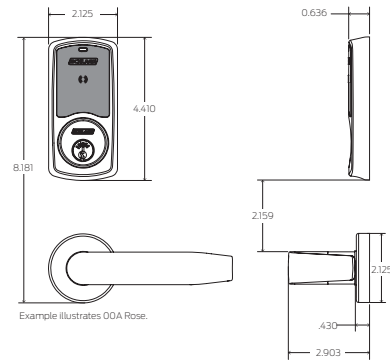
Learn about Allegion's commitment

Exterior of the lock

Addison

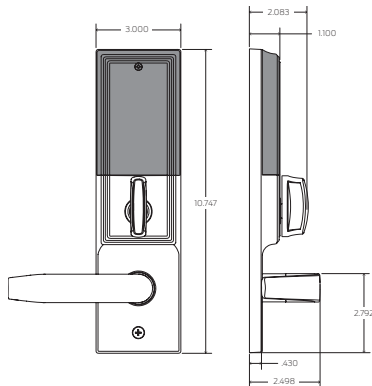


Greenwich

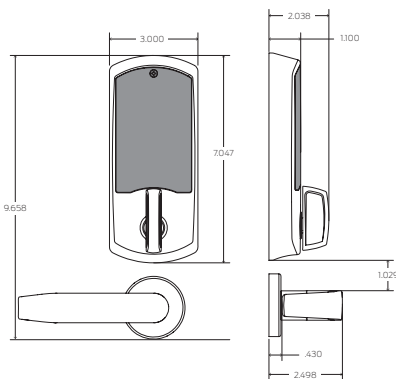


Interior of the lock

Addison



Greenwich



LE wireless lock specifications

Users	Up to 5,000 ¹
Audits	Up to 2,000 ²
Credential verification time ³	Smart and proximity: ≤ 1 second Mobile: mobile device dependent
Visual communications	Exterior LED (red, amber, green); Interior LED (red, green)
Audible communications	Audible indicator (field configurable)
Communication standards	<ul style="list-style-type: none"> 2.4 GHz Wi-Fi® (IEEE 802.11b/g/n) WPA2, WPA, WEP, 802.1x Bluetooth® low energy (version 4.2) Transport Layer Security (TLS) version 1.2 Advanced Encryption Standard (AES), 256-bit
Gateway communication range	Up to 30' in typical building environments. A detailed site survey is recommended using the ENGAGE Test Kit (TKE). Reference ENGAGE™ Gateway Data Sheet for additional detail.
Wake-Up on Radio	Responds to command from host in less than 5 seconds when linked to ENGAGE Gateway (requires PACS provider system)
Data rate:	54 Mbps via Wi-Fi
Connectivity options	<ul style="list-style-type: none"> Bluetooth via mobile device (send updates at the lock) Wi-Fi access point (automatic daily updates⁷) No-Tour⁸ ENGAGE Gateway (real-time communication) <ul style="list-style-type: none"> RS-485 to ACP or IP to host
Battery life ⁴	Uses 4 AA batteries Up to 2 years
Operating temperature	Exterior: -31° to 151°F (-35° to 66°C) Exterior: -13° to 151°F (-25° to 66°C) (LEBSI) Interior: 32° to 120°F (0° to 49°C) (battery)
Operating humidity	0 - 100% non-condensing
Certifications	ANSI/BHMA A156.25 locked outdoor; ANSI/BHMA A156.13, Series 1000, Grade 1; UL 294; ULC 60839; UL 10C 3 hour; FCC Part 15; Industry Canada (IC); ADA compliant; FL1592, FL3905, FL4613, FL10356, FL12400, FL14482

Chassis/functions

- MS mortise with indicator:
 - Storeroom
- MB mortise with push button:
 - Privacy
 - Office
 - Apartment
- MD mortise deadbolt:
 - Privacy
 - Apartment

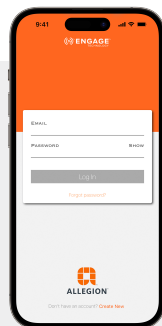
Available status signals

- Request-to-exit
- Door position
- Interior cover tamper⁵
- Battery status
- Lock/unlock status⁶
- Communication status⁵
- Deadbolt position status (MD only)⁵
- Interior pushbutton status (MB only)⁵

Flexible solutions

LE wireless locks offer connectivity options to fit any size budget or business.

- Mobile
- Wi-Fi
- Real-time with ENGAGE Gateway
- No-Tour⁸



Use the ENGAGE mobile app to commission and connect devices to your access control system of choice



¹ Maximum database storage capacity of lock. Can vary by access control software database capacity.
² Maximum audit storage capacity of lock. Can vary by access control software audit storage capacity.
³ Response time does not include latency time of host when linked with an ENGAGE Gateway or when using No-Tour.
⁴ Assuming indoor application, default settings, 80 actuations, interior LED disabled and one Wi-Fi update per day.

⁵ Consult your access control software provider for specific scope of support.
⁶ Software indicates lock/unlock status based on sequence of events.
⁷ Daily update will occur within 24 hours as scheduled by the host.
⁸ With MT20W and smart credential or mobile credential (consult your access control software provider for specific support).

Mechanical specifications

Chassis	MS mortise with LED indicator; MB mortise with push button and LED; MD mortise with deadbolt and LED
Handing	Handed to order, field reversible
ANSI standard (Meets or exceeds)	ANSI/BHMA A156.25-2013 (Indoor/Outdoor) ANSI/BHMA A156.13-2012, Series 1000, Grade 1 With interchangeable core cylinders: Grade 2 Security
Door thickness	Standard: 1 3/4" (44 mm) Optional: 1 3/4" (44 mm) to 2 1/4" (57 mm) optional (SFIC limited to 2" max)
Backset	Standard: 2 3/4" (70mm)
Latch bolt	Standard: 3/4" (19 mm) throw stainless steel latch bolt with anti-friction tongue
Deadbolt	Standard: 1" (25 mm) throw stainless steel deadbolt
Levers	Forged brass or bronze
Strike	Standard: ANSI 1 1/4" x 4 7/8" (32 mm x 124 mm) x 1 3/16" (30 mm) curved lip strike with dust box Optional: Additional strike lip lengths and ANSI strike box available
Cylinder and keys	Standard: Schlage 6-pin Everest 29 S123 keyway Conventional cylinder with two patented keys. Additional keying options available: Conventional and interchangeable cores, master keying, and grand master keying. Compatible with competitor cylinders and cams that support the L9000 Series.
Armored front	1 1/4" x 8" x 7/32" (32mm x 203 mm x 6 mm) only

Compatible cylinders	Mortise cylinder	Full size interchangeable core - FSIC	Small format interchangeable core - SFIC
With cylinder	P, P6, Z	M, R	G7
Less cylinder	L	J*	B*
Construction core	—	T	H
Disposable core	—	—	BDC

* Sold with cylinder housing - less core.

Note: Available in formats to support residential customers - 5-pin cylinder with C keyways. Need to specify keyway and pinning needs. Standard if not specified - P, 6-pin Everest 29 with S123 keyway.

Standard multi-technology reader specifications

Credential technologies	Proximity (125 kHz), Smart (13.56 MHz), Bluetooth Low Energy (BLE) (2.4 GHz), and Near Field Communication (NFC)
Standards	ISO standard 15693 and ISO 14443
Maximum read range	Proximity: up to 1.25" Smart: up to .75" Bluetooth Low Energy: up to 15' NFC: mobile device dependent
Proximity credential compatibility	Compatibility: Schlage®, ISONAS™, HID ⁵ , GE/CASI ProxLite®, AWID® and LenelProx® Schlage credential style formats: Clamshell, ISO card, ISO card with magnetic stripe, keyfob, thin keyfob, PVC adhesive disc
Smart credential compatibility ¹	Secure sector compatibility: Schlage MIFARE Classic®, Schlage MIFARE Plus®, Schlage MIFARE® DESFire®; HID support with the Si option CSN only compatibility: HID iCLASS®, HID iCLASS SE®, Inside Contactless Pico Tag®, MIFARE Classic/Plus/DESFire ² , ST Microelectronics®, Texas Instruments Tag-It®, Phillips I-Code® Schlage credential style formats: Clamshell, ISO card, ISO card with magnetic stripe, keyfob, thin keyfob, wearable wristband, PVC adhesive patch
Mobile credential compatibility ³	Schlage Mobile Bluetooth® Credential ⁴ , integrated PACS/PropTech mobile credential with Bluetooth, Apple wallet NFC student ID and employee badge mobile credentials, Google wallet NFC student ID and employee badge mobile credentials; HID NFC support with the Si option

¹ No-Tour applications require a 1K Byte Schlage MIFARE smart credential.

² Specify CE-5901-0402 for ISONAS credential parity.

³ Dependent on PACS provider capabilities. Visit us.allegion.com/alliances for more information.

⁴ Supported through ENGAGE web and mobile apps, ISONAS Pure Access Cloud.

⁵ Proximity bit lengths greater than 37 not supported.

Mobile enabled retrofit kits

Retrofit kits are available allowing the upgrade of legacy LE locks to the mobile enabled model, enabling them to read Bluetooth® mobile credentials.

- Kit includes: Complete interior escutcheon with PCBA*

* Kit requires reuse of exterior of lock, lock chassis, existing levers/spring cages, battery cover, mounting screws and interior mounting plate.

Si option with HID® support

Supports:

- Secure application area of HID iCLASS®, iCLASS SE®, Seos® and MIFARE® DESFire® EV1 smart credentials
- iCLASS Standard Key and Elite Keys
- HID NFC mobile credentials
- All Schlage MIFARE and mobile credentials

Does not support:

- Proximity
- HID Seos Bluetooth mobile

Ordering information

LEB - MS - GRW - P6 - 07 - 626 - 00A - 17 - 612 - 00A - LH - 10-136 - 134 - S123

Series	Chassis/function	Style	Cylinder type	Outside			Inside (optional)			Handing	Strike lip	Door thickness	Key system	Additional options
				Lever style	Finish	Rose (GRW only)	Lever style	Finish	Rose (GRW only)					
1	2	3	4	5	6	7	8	9	10	11	12	13	14	15

Selections correspond with the numbers above

Standards options are indicated in bold. See price book for specific configuration options.

1 Series / 2 Chassis/Function	
LEBMS	Mobile enabled mortise with indicator only
LEBMB	Mobile enabled mortise with interior push button
LEBMD	Mobile enabled mortise with deadbolt
LEBSIMS	Mobile enabled mortise with indicator only that supports HID® credential types
LEBSIMB	Mobile enabled mortise with interior push button that supports HID® credential types
LEBSIMD	Mobile enabled mortise with deadbolt that supports HID® credential types

Prior to ordering, confirm support with preferred PACS provider, visit us.allegion.com/alliances.

3	Style
GRW	Greenwich (sectional)
ADD	Addison (escutcheon)

4	Cylinder type
P6	Schlage 6-pin Conventional cylinder

See price book for other mortise cylinder, SFIC, FSIC and Less Cylinder options.

5/8	Lever style
Available in 31 levers and two knob styles including most M Series decorative lever options. Examples:	
03	Suites with Tubular
06	Suites with Rhodes
07	Suites with Athens
17	Suites with Sparta
LAT	Latitude

6/9	Finish
626	Satin chrome
605	Bright brass
606	Satin brass
612	Satin bronze
619	Satin nickel
622	Matte black
625	Bright chrome
643e	Aged bronze
626AM	Satin chrome antimicrobial

7/10	Rose (GRW style only)
00A	2 1/8" (54 mm) diameter
00B	2 9/16" (65 mm) diameter
00C	2 5/8" (66 mm) diameter with bevel (not available in 612 finish)

MER and AVA decorative rose options are also available, but only with MER and ACC lever styles. Inside rose will default to outside unless specified.

11	Handing
RH	Right hand
LH	Left hand
RHR	Right hand reverse
LHR	Left hand reverse

Defaulted to Right Hand, if not specified. The chassis can be changed in the field, with some exceptions. See pricebook for additional details.

12	Strike plate/lip length
10-136	1 3/16" lip length (MS and MB)
10-072	1 3/16" lip length (MD)

Additional lip length options 7/8" to 1 3/4". See price book for details.

13	Door thickness
134	1 3/4" (44 mm)

Optional: 1 3/4" (44 mm) to 2 1/4" (57 mm). 2" maximum door thickness on SFIC cylinders. See price book for additional details.

14	Keying type
S123	Everest 29

See price book for other available keyway options including restricted keyways in Primus XP high security cylinders and master keying.

15	Additional options
----	--------------------

Finishes

Warm tone finishes



605 Bright Brass



606 Satin Brass



612 Satin Bronze



643e Aged Bronze

Cool tone finishes



619 Satin Nickel



622 Matte Black



625 Bright Chrome



626 Satin Chrome



626am Satin Chrome Antimicrobial

Allegion, the Allegion logo, ENGAGE technology, the ENGAGE technology logo, Schlage and the Schlage logo are trademarks of Allegion plc, its subsidiaries and/or affiliates in the United States and other countries. The HID, iCLASS, iCLASS SE, and Seos trademarks owned by ASSA ABLOY. All other trademarks are the property of their respective owners.

About Allegion

Allegion (NYSE: ALLE) is a global pioneer in seamless access, with leading brands like CISA®, Interflex®, LCN®, Schlage®, SimonsVoss® and Von Duprin®. Focusing on security around the door and adjacent areas, Allegion secures people and assets with a range of solutions for homes, businesses, schools and institutions.

For more, visit www.allegion.com

KRYPTONITE ■ LCN ■ ■ STEELCRAFT ■ VON DUPRIN



© 2023 Allegion
011389, Rev. 08/23
www.allegion.com/us