



NDE

Mobile enabled wireless cylindrical lock



Overview

The Schlage® NDE mobile enabled wireless cylindrical lock is designed to affordably extend electronic access control deeper into the building beyond traditional perimeter and high security openings and offers users the security and convenience of using a smart device to gain access.¹

NDE wireless locks simplify installation by combining the lock, credential reader, door position sensor and request-to-exit switch all in one unit, eliminating the need to install additional components or run wires to each opening.

The open architecture design of NDE allows it to be managed by Allegion software or to be integrated into popular physical access control systems through our PACS Alliance program. This enables customers to choose the system that best fits their requirements now and move to a networked solution at any time.

NDE suites with all Schlage ND levers and keyways to provide attractive options to meet the requirements of nearly any environment.

¹ Use of mobile credential is dependent on availability of compatible mobile credential.

² Integration with NDE mobile enabled wireless locks required for operation. For information on PACS providers and their capabilities, visit us.allegion.com/alliances.

Encryption key and credential interoperability

- Hardware configured with our default encryption key or custom key developed by Schlage Custom Encryption Key Service (SCEKS) including NXP, HID® and NFC
- Schlage MIFARE® DESFire® and MIFARE Classic® credentials
- Apple Wallet® and Google Wallet™ student ID and employee badge
- HID iCLASS®, iCLASS SE® and SEOS® plastic and NFC mobile credentials (see page 3)
- Schlage Mobile Bluetooth® Credential
- Other competitive credentials (see page 3)

Schlage Credential Services

- CardTrax™ credential format sequencing service offering industry standard formats
- Custom format development

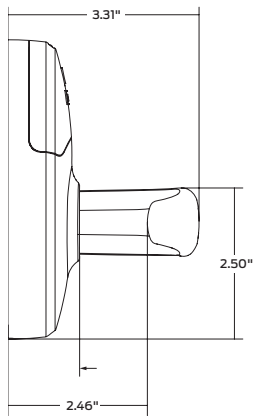
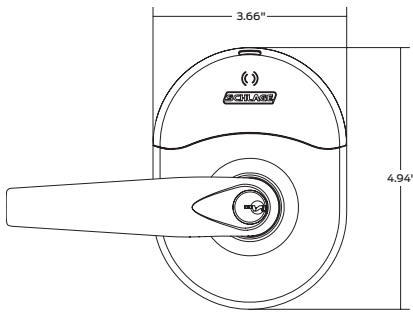
Features and benefits

- NDE includes interior push button with indication for storeroom, office, privacy, and apartment applications
- Standard multi-technology credential compatibility includes Schlage MIFARE®, Bluetooth® and NFC mobile¹, and proximity – Optional support for HID® smart and NFC mobile credentials
- Wireless configuration from connected smartphones and tablets
- Built-in Wi-Fi® enables automated daily updates sent directly from host software
- Networked real-time communication available with the ENGAGE Gateway and PACS provider solutions²
- Ideal for office and suite entries, conference rooms, common area doors, resident units, and sensitive storage areas
- Fits mechanical ND door prep with minor modifications
- Weather resistant design
- Lever handing is field reversible in seconds; no tools required
- Up to 2 years of battery life

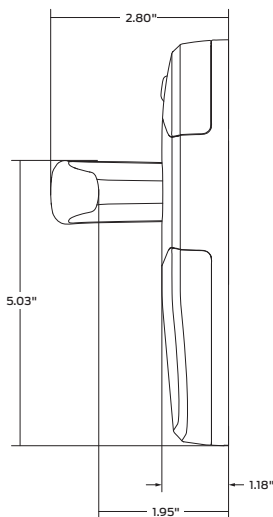
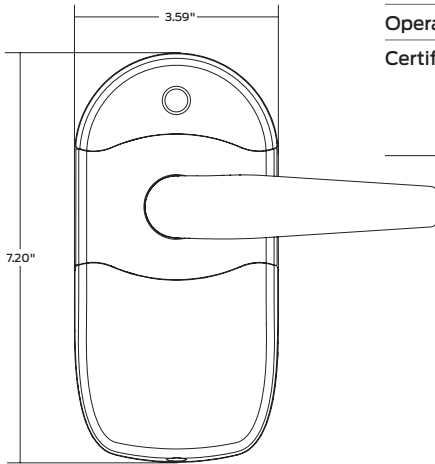
CYBERSECURITY

Learn about Allegion's commitment

Exterior of the lock



Interior of the lock



NDE wireless lock specifications

Users	Up to 5,000 ¹
Audits	Up to 2,000 ²
Credential verification time³	Smart and proximity: ≤ 1 second Mobile: mobile device dependent
Visual communications	LED (red, amber, green)
Audible communications	Audible indicator (field configurable)
Communication standards	<ul style="list-style-type: none"> 2.4 GHz Wi-Fi® (IEEE 802.11b/g/n) WPA2, WPA, WEP, 802.1x Bluetooth® low energy (version 4.2) Transport Layer Security (TLS) version 1.2 Advanced Encryption Standard (AES), 256-bit
Gateway communication range	Up to 30' in typical building environments. A detailed site survey is recommended using the ENGAGE Test Kit (TKE). Reference ENGAGE™ Gateway Data Sheet for additional detail.
Wake-Up on Radio	Responds to command from host in less than 5 seconds when linked to ENGAGE Gateway (requires PACS provider system)
Data rate	54 Mbps
Connectivity options	<ul style="list-style-type: none"> Bluetooth via mobile device (send updates at the lock) Wi-Fi access point (automatic daily updates⁷) No-Tour⁸ ENGAGE Gateway (real-time communication) <ul style="list-style-type: none"> – RS-485 to ACP or IP to host
Battery life⁴	Uses 4 AA batteries Up to 2 years
Operating temperature	Exterior: -31° to 151°F (-35° to 66°C) Exterior: -13° to 151°F (-25° to 66°C) (NDEBSI) Interior: 32° to 120°F (0° to 49°C) (battery)
Operating humidity	0 - 100% non-condensing
Certifications	ANSI/BHMA A156.25 locked outdoor; ANSI/BHMA A156.2, Series 4000, Grade 1; UL 294; ULC 60839; UL 10C 3 hour; CSA C22.2 No. 205-M1983; FCC Part 15; Industry Canada (IC); ADA compliant; ICC ANSI A117.1; FL1592, FL10356, FL12400, FL14482

Functionality

- Storeroom
- Office
- Privacy
- Apartment

NDE comes with Vandgard® standard

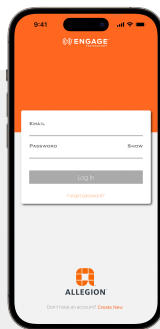
Available status signals

- Request-to-exit
- Door position
- Interior cover tamper⁵
- Magnetic tamper
- Battery status
- Lock/unlock status⁶
- Communication status⁵

Flexible solutions

NDE wireless locks offer connectivity options to fit any size budget or business.

- 1 Mobile
- 2 No-Tour⁸
- 3 Wi-Fi
- 4 Real-time with ENGAGE Gateway



Use the ENGAGE mobile app to commission and connect devices to your access control system of choice



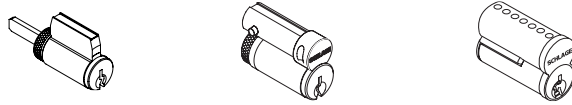
¹ Maximum database storage capacity of lock. Can vary by access control software database capacity.
² Maximum audit storage capacity of lock. Can vary by access control software audit storage capacity.
³ Response time does not include latency time of host when linked with an ENGAGE Gateway or when using No-Tour.
⁴ Assuming indoor application, default settings, 80 actuations, interior LED disabled and one Wi-Fi update per day.

⁵ Consult your access control software provider for specific scope of support.
⁶ Software indicates lock/unlock status based on sequence of events.
⁷ Daily update will occur within 24 hours as scheduled by the host.
⁸ With MT20W and smart credential or mobile credential (consult your access control software provider for specific support).

Mechanical specifications

Chassis	Cylindrical
Handing	Right-handed from factory. Field reversible in seconds (no tools required).
ANSI standard (Meets or exceeds)	ANSI/BHMA A156.25-2013 (Indoor/Outdoor) ANSI/BHMA A156.2-2011, Series 4000, Grade 1
Door thickness	Standard: 1 5/8" - 2" (41mm - 51mm) only
Backset	Standard: 2 3/4" (70mm) Optional: 2 3/8" (60mm)
Latch bolt	Standard: 1/2" (12mm) throw deadlatch (steel) Optional: 3/4" (19mm) throw anti-friction deadlatch available for pairs of fire doors
Levers	Pressure cast zinc, plated
Strike	Standard: 1 3/16" lip, ANSI, DPS, 1 1/4" x 4" Optional: Additional strikes, lip lengths and ANSI strike box available
Cylinder and keys	Standard: Schlage 6-pin Everest 29 S123 keyway Conventional cylinder with two patented keys. Additional keying options available, including interchangeable cores, competitor brands, master keying and grand master keying.

Compatible cylinders



Schlage key systems	Conventional key-in-lever cylinder	Full size interchangeable core	Small format interchangeable core
With cylinder	P, P6, Z	M, R	G7
Construction core	----	T	H
Disposable core	----	----	BDC
Less cylinder	L	J	B
Compatible cylinders listed above are supported on all levers.			
SARGENT® - Less cylinder	L-SAR	J-SAR	----
Corbin Russwin® - Less cylinder	L-CO6	J-CO6, J-CO7	----
Yale® - Less cylinder	----	J-YA6, J-YA7	----
Medeco - Less cylinder	----	J-MED	----

Six-pin competitive cylinders listed above are supported on ATH, SPA, RHO, and TLR levers. Seven-pin competitive cylinders listed above are supported on RHO levers.

Standard multi-technology reader specifications

Credential technologies	Proximity (125 kHz), Smart (13.56 MHz), Bluetooth Low Energy (BLE) (2.4 GHz), and Near Field Communication (NFC)
Standards	ISO standard 15693 and ISO 14443
Maximum read range	Proximity: up to 1.25" Smart: up to .75" Bluetooth Low Energy: up to 15' NFC: mobile device dependent
Proximity credential compatibility	Compatibility: Schlage®, ISONAS™, HID ⁵ , GE/CASI ProxLite®, AWID® and LenelProx® Schlage credential style formats: Clamshell, ISO card, ISO card with magnetic stripe, keyfob, thin keyfob, PVC adhesive disc
Smart credential compatibility ¹	Secure sector compatibility: Schlage MIFARE Classic®, Schlage MIFARE Plus®, Schlage MIFARE® DESFire®; HID support with the Si option CSN only compatibility: HID iCLASS®, HID iCLASS SE®, Inside Contactless Pico Tag®, MIFARE Classic/Plus/DESFire ² , ST Microelectronics®, Texas Instruments Tag-It®, Phillips I-Code® Schlage credential style formats: Clamshell, ISO card, ISO card with magnetic stripe, keyfob, thin keyfob, wearable wristband, PVC adhesive patch
Mobile credential compatibility ³	Schlage Mobile Bluetooth® credential ⁴ , integrated PACS/Proptech mobile credential with Bluetooth, Apple Wallet® NFC student ID and employee badge mobile credentials, Google Wallet™ NFC student ID and employee badge mobile credentials; HID NFC support with the Si option

Mobile enabled retrofit kits

Retrofit kits are available allowing the upgrade of legacy NDE locks to the mobile enabled model, adding the ability to read Bluetooth® mobile credentials and new functions supported by an interior push button with indication.

- Kit includes: Interior escutcheon with PCBA and DPS with lead (requires modified door prep)*

* Kit requires reuse of exterior of lock, lock chassis, existing levers/spring cages, battery cover, mounting screws and interior mounting plate.

Si option with HID® support

Supports:

- Secure application area of HID iCLASS®, iCLASS SE®, Seos® and MIFARE® DESFire® EV1 smart credentials
- iCLASS Standard Key and Elite Keys
- HID NFC mobile credentials
- All Schlage MIFARE and mobile credentials

Does not support:

- Proximity
- HID Seos Bluetooth mobile

¹ No-Tour applications require a 1K Byte Schlage MIFARE smart credential.

² Specify CE-5901-0402 for ISONAS credential parity.

³ Dependent on PACS /Proptech provider capabilities. Visit us.allegion.com/alliances for more information.

⁴ Supported through ENGAGE web and mobile apps, ISONAS Pure Access Cloud.

⁵ Proximity bit lengths greater than 37 not supported

Ordering information

NDEB - P6 - SPA - 626

Series	Lever cylinder	Outside		Inside		Backset and latch	Strike	Dim	Additional details
		Lever style	Finish	Lever style	Finish				
1	2	3	4	5	6	7	8	9	10

Selections correspond with the numbers above

Standards options are indicated in bold. See price book for specific configuration options.

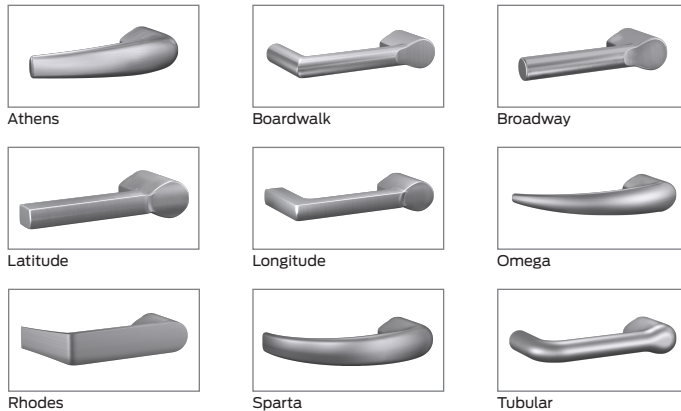
1	Series
NDEB	Mobile enabled cylindrical with configurable functions
NDEBSi	Mobile enabled cylindrical with configurable functions that supports HID® credential types
Prior to ordering, confirm support with preferred PACS provider, visit us.allegion.com/alliances .	
2	Lever cylinder type
P6	Schlage 6-pin Conventional key-in-lever
See price book for other SFIC, FSIC and Less Cylinder options available. Supports Schlage, SARGENT®, Corbin, Russwin®, and Yale®.	

3/5	Lever style
ATH	Athens*
BRK	Boardwalk*
BRW	Broadway*
LAT	Latitude
LON	Longitude
OME	Omega
RHO	Rhodes*
SPA	Sparta*
TLR	Tubular*
* Available with tactile surface.	
4/6	Finish
626	Satin chrome
605	Bright brass
606	Satin brass
612	Satin bronze
619	Satin nickel
622	Matte black
625	Bright chrome
643e	Aged bronze
626AM	Satin chrome antimicrobial

7	Backset and latch
13-247	2 3/4" backset, deadlatch, square corner, 1 1/8" x 2 1/4"
See price book for additional backset and latch options.	
8	Strike
47267101	1 1/4" x 4 7/8" with 1 3/16" lip (NDEB)
See price book for other available strikes.	
9	Dim (strike lip length)
138	1 3/8" non-standard lip length
Enter only for non-standard strike lip lengths. See price book for other available non-standard lengths.	
10	Additional details
S123	Everest 29
See price book for other available keyway options including restricted keyways in Primus XP high security cylinders and master keying.	

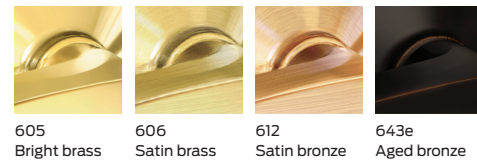
Lever styles

The NDE shares the same levers as the Schlage ND mechanical lock. All NDE locks feature mechanical key override; standard, SFIC or FSIC options available.

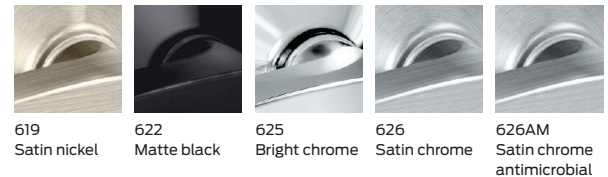


Finishes

Warm tone finishes



Cool tone finishes



Allegion, the Allegion logo, ENGAGE technology, the ENGAGE technology logo, Schlage, the Schlage logo and Vandlgard are trademarks of Allegion plc, its subsidiaries and/or affiliates in the United States and other countries. The HID, iCLASS, iCLASS SE, Seos, SARGENT, Corbin, Russwin, and Yale trademarks are owned by ASSA ABLOY. All other trademarks are the property of their respective owners.

About Allegion

Allegion (NYSE: ALLE) is a global pioneer in seamless access, with leading brands like CISA®, Interflex®, LCN®, Schlage®, SimonsVoss® and Von Duprin®. Focusing on security around the door and adjacent areas, Allegion secures people and assets with a range of solutions for homes, businesses, schools and institutions.

For more, visit www.allegion.com

KRYPTONITE ■ LCN ■ **SCHLAGE** ■ STEELCRAFT ■ VON DUPRIN



© 2023 Allegion
010409, Rev. 08/23
www.allegion.com/us